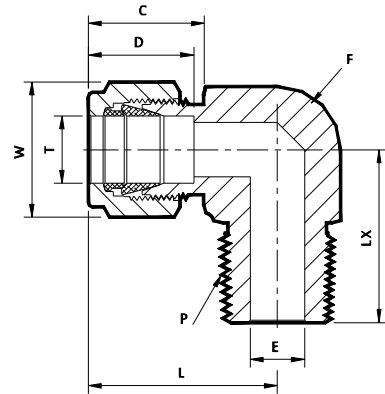


## 2.2 Male Elbow

### 01. Fractional Tube x NPT (M)

Material - **SS 304 | SS 316**



Sr. No.	TUBE OD Ø T	NPT Male Pipe Size P	Ref. Part No.		ØE	D	C	L	LX	Body Hex F	Nut Hex W
			SS 304 MED4	SS 316 MED6							
Dimensions in Inches											
1	1/8 x 1/8		2MED2Nx4	2MED2Nx6	0.09	0.50	0.60	0.93	0.70	1/2	7/16
2	1/8 x 1/4		2MED4Nx4	2MED4Nx6	0.09			0.97	0.92	9/16	
3	1/4 x 1/8		4MED2Nx4	4MED2Nx6	0.19	0.60	0.70	1.06	0.74	9/16	9/16
4	1/4 x 1/4		4MED4Nx4	4MED4Nx6	0.19			1.06	0.92	9/16	
5	1/4 x 3/8		4MED6Nx4	4MED6Nx6	0.19			1.17	1.03	11/16	
6	1/4 x 1/2		4MED8Nx4	4MED8Nx6	0.19			1.25	1.30	13/16	
7	5/16 x 1/8		5MED2Nx4	5MED2Nx6	0.19	0.64	0.73	1.13	0.78	9/16	5/8
8	5/16 x 1/4		5MED4Nx4	5MED4Nx6	0.25			1.13	0.96	9/16	
9	5/16 x 3/8		5MED6Nx4	5MED6Nx6	0.25			1.20	1.03	11/16	
10	3/8 x 1/8		6MED2Nx4	6MED2Nx6	0.19	0.66	0.76	1.20	0.82	5/8	11/16
11	3/8 x 1/4		6MED4Nx4	6MED4Nx6	0.28			1.20	1.00	5/8	
12	3/8 x 3/8		6MED6Nx4	6MED6Nx6	0.28			1.23	1.03	11/16	
13	3/8 x 1/2		6MED8Nx4	6MED8Nx6	0.28			1.31	1.30	7/8	
14	1/2 x 1/4		8MED4Nx4	8MED4Nx6	0.28	0.90	0.86	1.42	1.11	13/16	7/8
15	1/2 x 3/8		8MED6Nx4	8MED6Nx6	0.38			1.42	1.11	13/16	
16	1/2 x 1/2		8MED8Nx4	8MED8Nx6	0.41			1.42	1.30	7/8	
17	1/2 x 3/4		8MED12Nx4	8MED12Nx6	0.41			1.57	1.45	1.1/16	
18	5/8 x 1/2		10MED8Nx4	10MED8Nx6	0.47	0.96	0.86	1.50	1.38	15/16	1
19	5/8 x 3/4		10MED12Nx4	10MED12Nx6	0.50			1.57	1.45	1.1/16	
20	3/4 x 1/2		12MED8Nx4	12MED8Nx6	0.47	0.96	0.86	1.57	1.45	1.1/16	1.1/8
21	3/4 x 3/4		12MED12Nx4	12MED12Nx6	0.62			1.57	1.45	1.1/16	
22	1 x 3/4		16MED12Nx4	16MED12Nx6	0.62	1.23	1.04	1.93	1.64	1.3/8	1.1/2
23	1 x 1		16MED16Nx4	16MED16Nx6	0.88			1.93	1.83	1.3/8	

- NOTE : ① The E Dimension is the minimum opening & Fittings of this group may be back drilling to lager ID at pipe thread or straight thread end  
 ② Dimension LX, C, D is shown in the finger-tight position.  
 ③ NPT thread as per ANSI B 1.20.1.